

**PROCESS IN-LINE**

---

**WATERCUT MONITORS**

---

**OWC-50**

**IN PROCESS TO EXCELLENCE**

**From theory to practice**

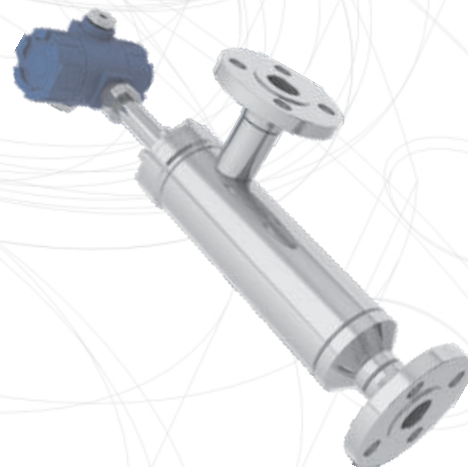
The OWC 50 series is based on a principle of a dipole measurement via water molecule, as water has a considerable amount of absorption.

**Coefficient and a high frequency**

The principle would be demonstrated by an ultrahigh frequency band with up to 3.5 GHz. This would determine the presence of the moisture within a given petroleum product that uses a water-oil emulsions. This is a complex permeability within a high-frequency and an ultrahigh frequency with a band width that consists from 0.5 to 3.5 GHz measuring method. As the measuring principle of the OWC 50 series is based upon the measurements of a electromagnetic energy losses in a given water-oil emulsion. Based on this principle the OWC 50 series is unique and most efficient in its class compared to other OWC meters. Rigorous factory testing and calibration secure high accuracy that is not affected by any flow rates.

**Specifications**

Emulsion Concentration Range	0 to 100%
Emulsion Concentration Accuracy	OWC 5005: ±0.5% OWC 5010: ±1.0%
Process Temperature	0°C to +100°C (+32°F to +212°F) - Standard 0°C to +232°C (+32°F to +450°F) - High temperature
Salinity	0 to 30% by weight
Repeatability	±0.2%
Temperature Accuracy	±0.1°C (±0.2°F)
Pressure Range	Standard 20 Bar (300 psig)
Viscosity Effect	Automatically compensated
Process Connection	1", 2", 3", 4"
Ambient Temperature	-40°C to +80°C (-40°F to +176°F)
Weather Rating	IP68
Sensor Material	Stainless steel 316L; Ni-Span C; Hastelloy C22
Power Supply	115-240V AC 50-60 Hz or 12/24V DC;
Analog Output	4 - 20 mA
Digital Output	RS 485 Modbus
Quality Assurance	ISO 9001:2000
Factory Calibration	Calibration certificates supplied as standard
CE Mark	Compliant EN 61326 ; EN50111 ; EN 50082-2
ATEX	II 1G EEx ia IIB T4; II 1G EEx ia IIC T5
IEC	IEC Ex ia IIB T4 Ga/Gb



**Advantages**

- Real-time measurements, high accuracy
- Easy to clean
- Compact, portable design
- Simple installation
- No additional maintenance required
- No nuclear (radioactive) sources
- Rigorous factory testing and calibration
- Easy to transport
- Competitive price
- Not affected by flow regimes

**Applications**

- Petroleum industry
- Antifoam and demulsifier chemical feed systems
- Waste water treatment
- Desalter control
- Automatic tank dewatering

Data transmission to PC, pocket PC or portable printer via Bluetooth connection. Compatible for a Windows XP/Vista/7.



**For more information please visit [www.lemis-process.com](http://www.lemis-process.com)**



**USA**  
**LEMIS USA, Inc.**  
 15556 Summit Park Dr. Suite 601  
 Montgomery  
 TX 77356, USA  
 Ph.: +1 281 465 8441

**EUROPE**  
**AS LEMIS Baltic**  
 26 Ganibu dambis  
 Riga, LV-1005  
 Latvia , EU  
 Ph.: +371 6738 3223  
 Fax: +371 6738 3270

**INDIA**  
**LEMIS India PVT LTD**  
 504,Bhumiraj Costarica,5th floor  
 Plot 1&2, Sector 18, Sanpada  
 Navi Mumbai-400705, INDIA  
 Ph.: +91 22 6721 5655  
 Fax: +91 22 6794 2666

**E-mail: [info@lemis-process.com](mailto:info@lemis-process.com)**